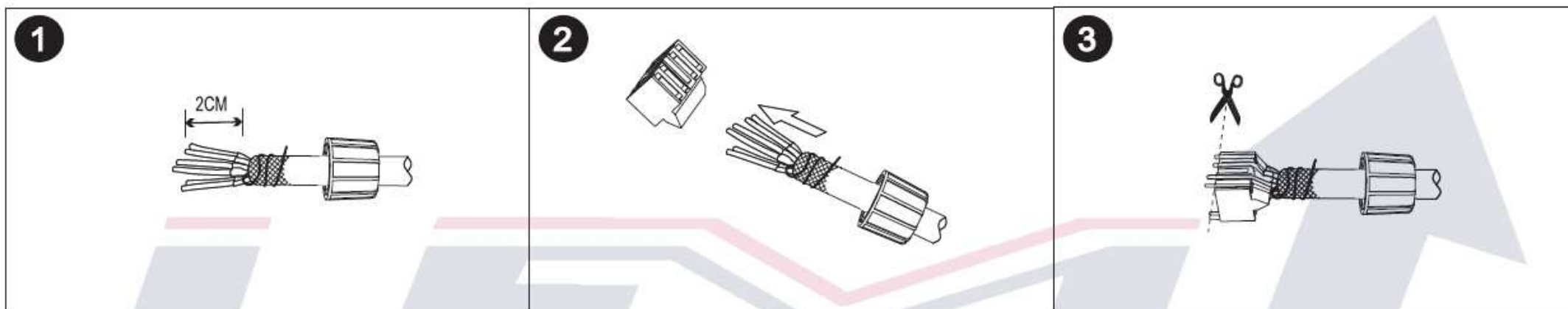


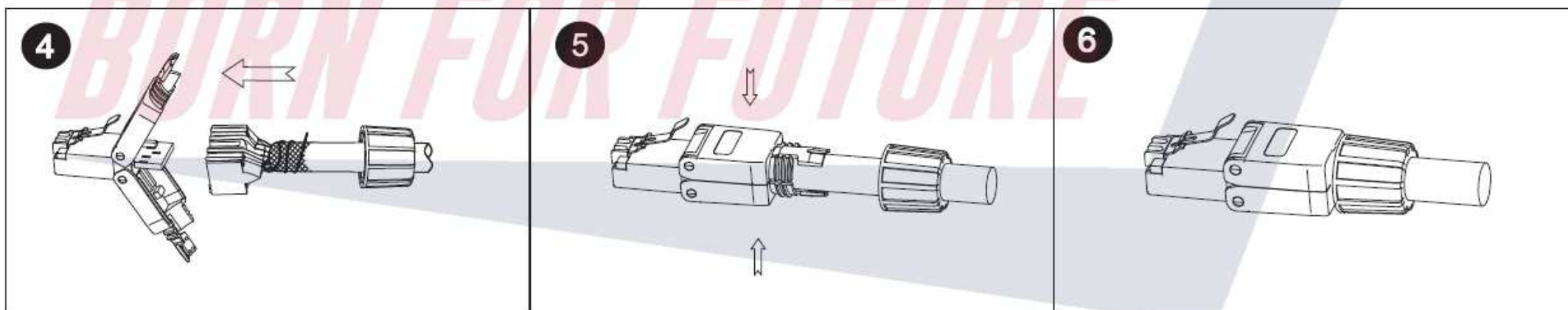
CAT6A SHIELDED TOOLLESS PLUG INSTRUCTION MANUAL



1
TAKE OF THE CABLE JACKET BY
TOOL ABOUT 2CM

2
PUT CABLE INTO IDC
ACCORDING TERMINAL T568

3
CUT AWAY THE EXTRA WIRES



4
TO INSERT IDC INTO PCB

5
PRESS DOWN BOTH SIDE METAL
HOUSING UNTIL THE WIRE INTO
THE IDC PIN CHASE

6
THE FINISHED PRODUCT